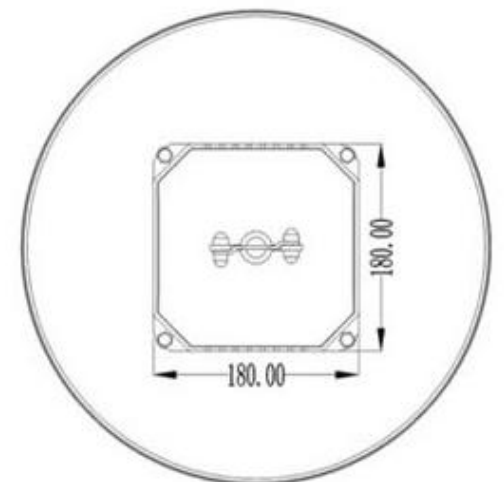
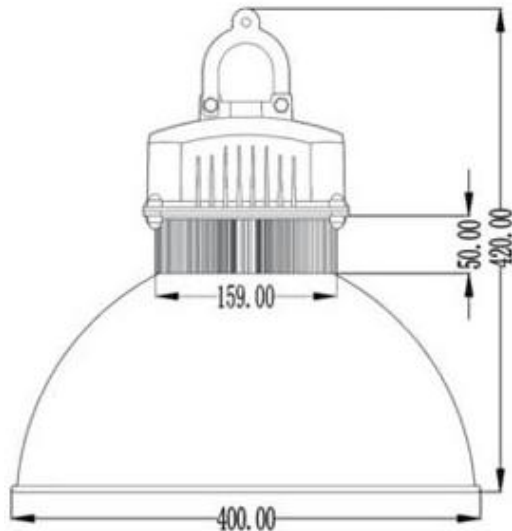
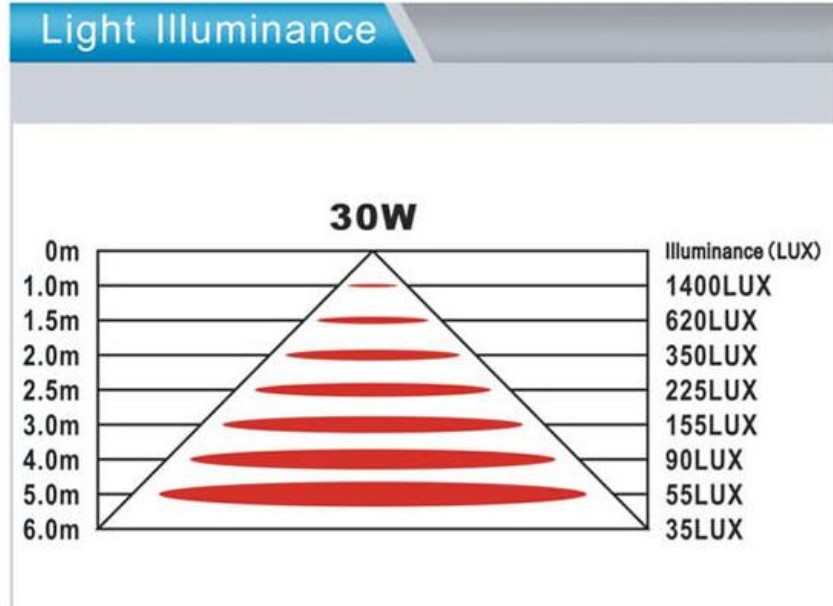
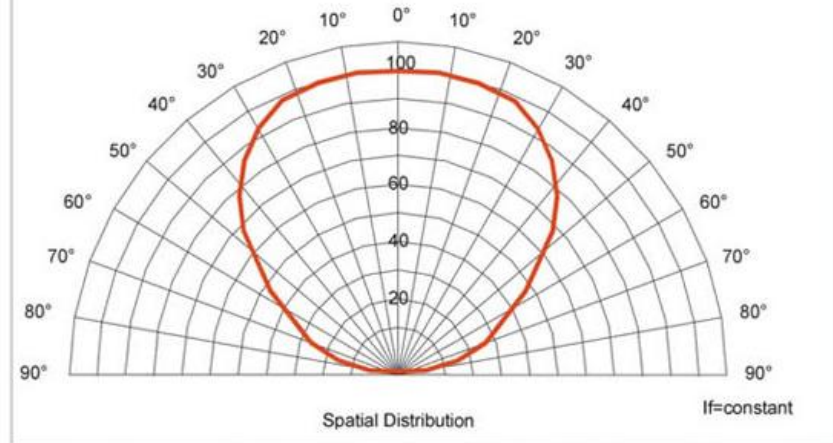


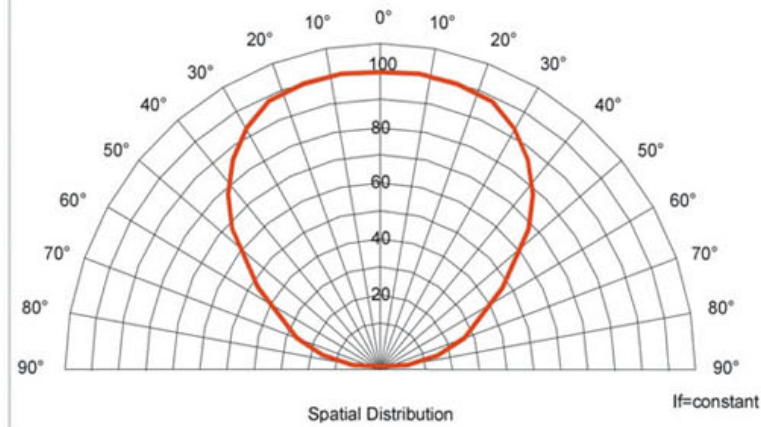
Lámpara LED tipo industrial LB-30W

Product Code	EL-ID-30-LB-N
Input Voltage	AC 90~264V/90~305V
Power Frequency of Driver	47~63Hz
Power Efficiency of Driver	≥85%
LED Power Consumption	30W
Power Factor (PF)	≥0.95
Total Harmonic Distortion (THD)	≤15%
Luminaire Efficiency	≥90%
Flux	2,100~2,400lm
Color Rendering Index (CRI)	Ra≥80
Color Temperature	3,000~7,000K Optional
Beam Angle	90 Degree
HID Equivalent	75W
Working Ambient Temperature	-25~+45°C/-13~+113°F
Working Ambient Humidity	15%~90%RH
IP Rating	IP22/IP54
Service Life	≥50,000 Hours
Light Fixture Material	Aluminum Alloy
NW	3.2kg

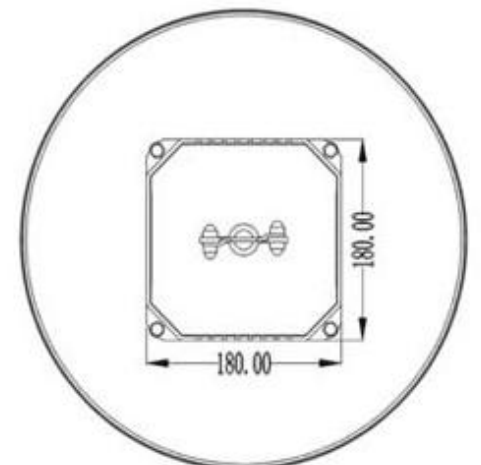
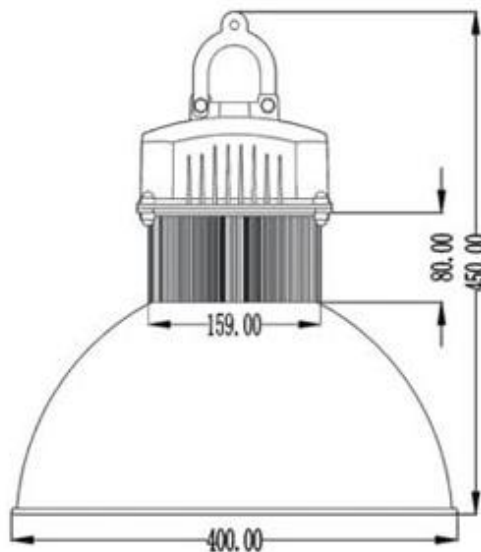
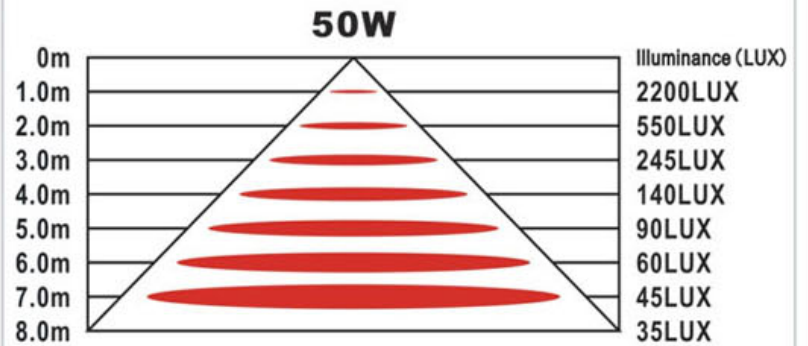


Lámpara LED tipo industrial HB-50W

Product Code	EL-ID-50-HB/LB-N
Input Voltage	AC 90~264V/90~305V
Power Frequency of Driver	47~63Hz
Power Efficiency of Driver	≥85%
LED Power Consumption	50W
Power Factor (PF)	≥0.95
Total Harmonic Distortion (THD)	≤15%
Luminaire Efficiency	≥90%
Flux	3,500~4,000lm
Color Rendering Index (CRI)	Ra≥80
Color Temperature	3,000~7,000K Optional
Beam Angle	90 Degree
HID Equivalent	120W
Working Ambient Temperature	-25~+45°C/-13~+113°F
Working Ambient Humidity	15%~90%RH
IP Rating	IP22/IP54
Service Life	≥50,000 Hours
Light Fixture Material	Aluminum Alloy
NW	3.6kg

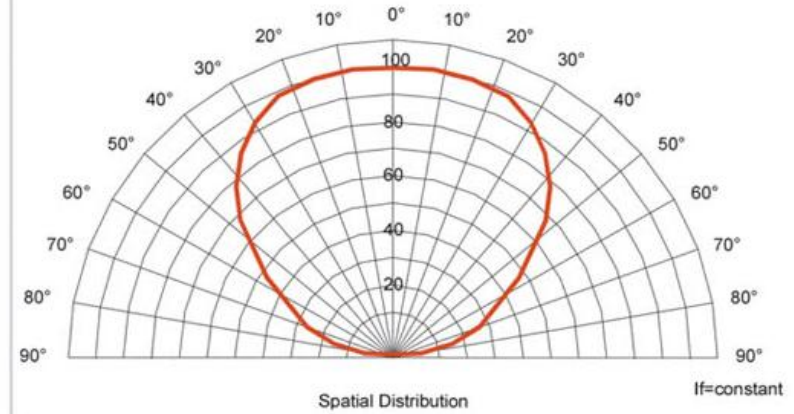


Light Illuminance

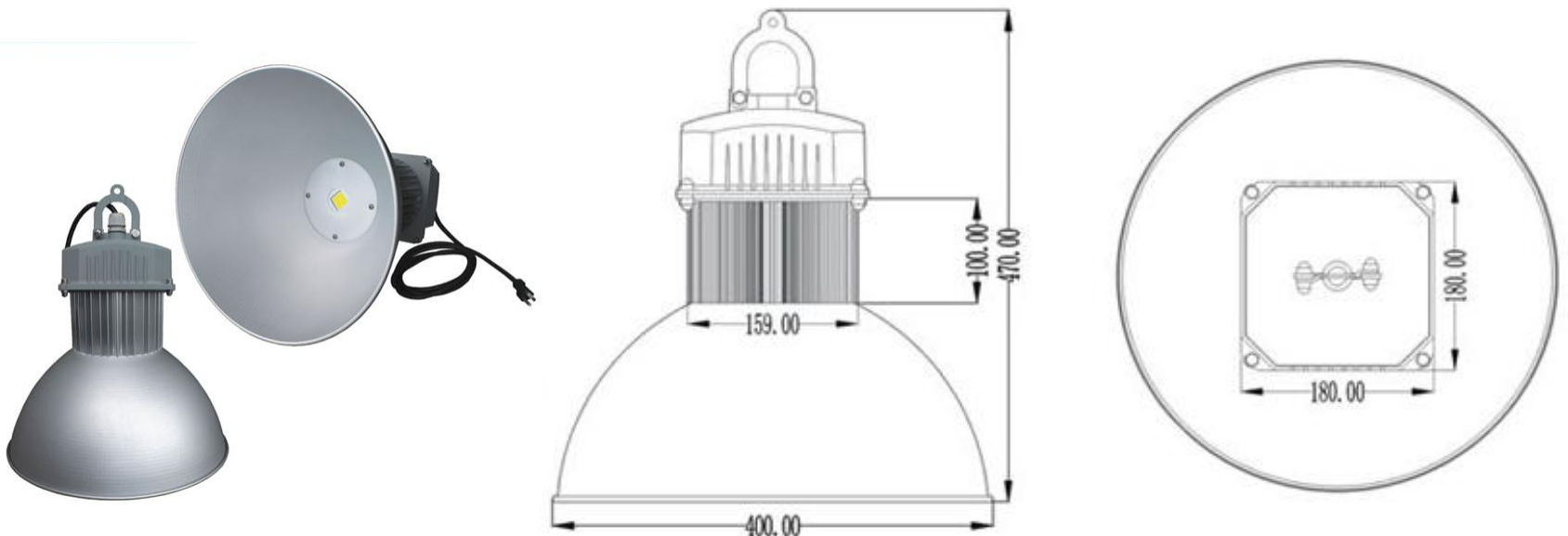
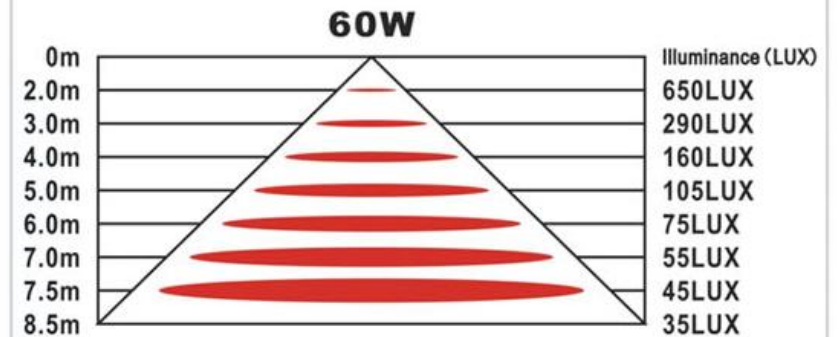


Lámpara LED tipo industrial HB-60W

Product Code	EL-ID-60-HB-N
Input Voltage	AC 90~264V/90~305V
Power Frequency of Driver	47~63Hz
Power Efficiency of Driver	≥85%
LED Power Consumption	60W
Power Factor (PF)	≥0.95
Total Harmonic Distortion (THD)	≤15%
Luminaire Efficiency	≥90%
Flux	4,200~4,800lm
Color Rendering Index (CRI)	Ra≥80
Color Temperature	3,000~7,000K Optional
Beam Angle	90 Degree
HID Equivalent	150W
Working Ambient Temperature	-25~+45°C/-13~+113°F
Working Ambient Humidity	15%~90%RH
IP Rating	IP22/IP54
Service Life	≥50,000 Hours
Light Fixture Material	Aluminum Alloy
NW	3.9kg

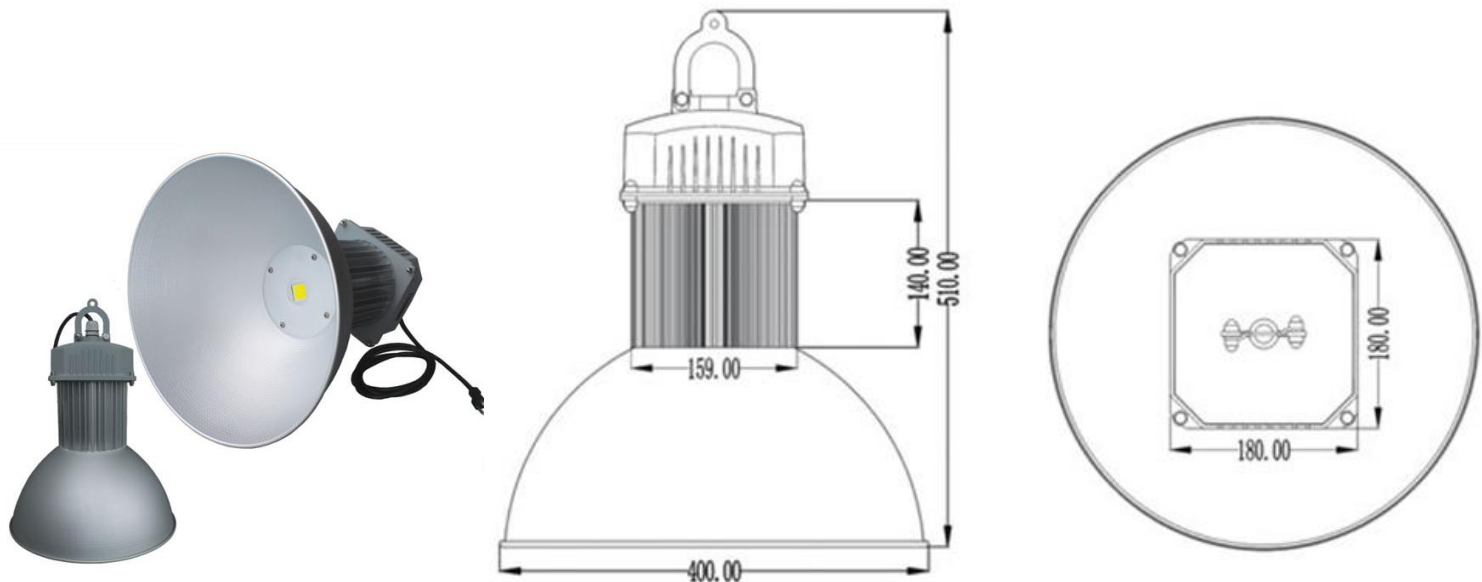
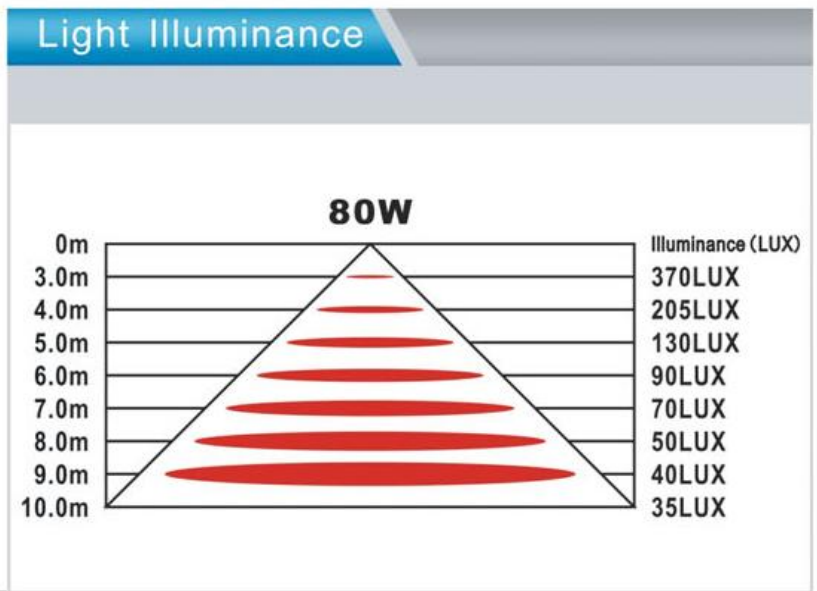
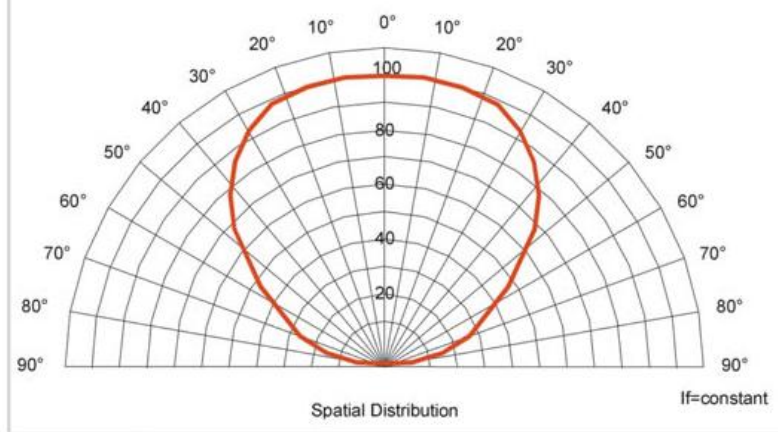


Light Illuminance



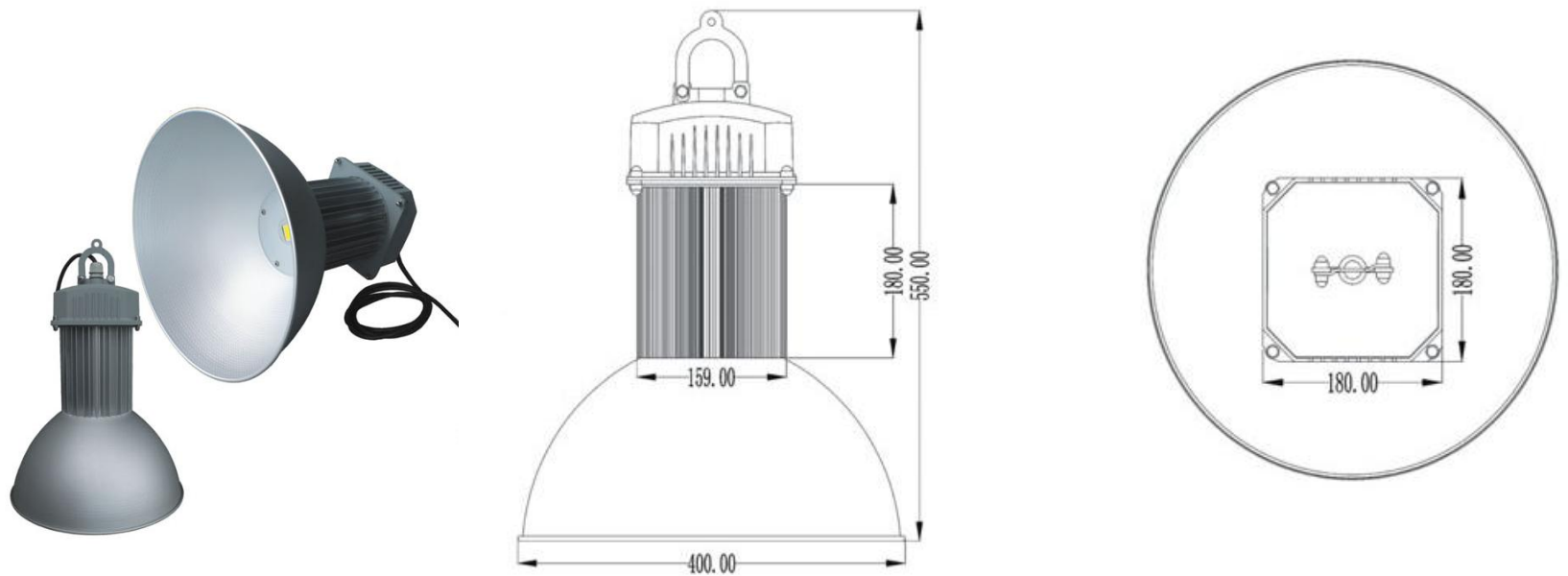
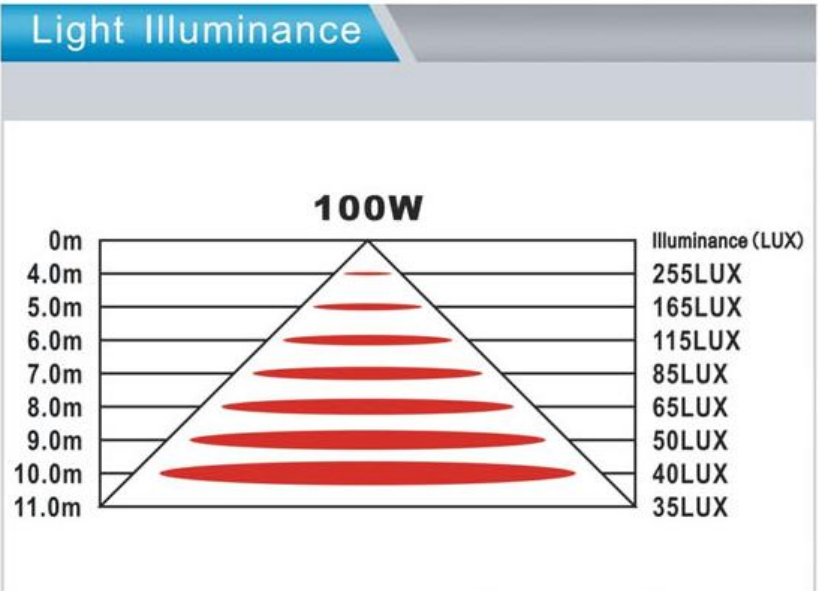
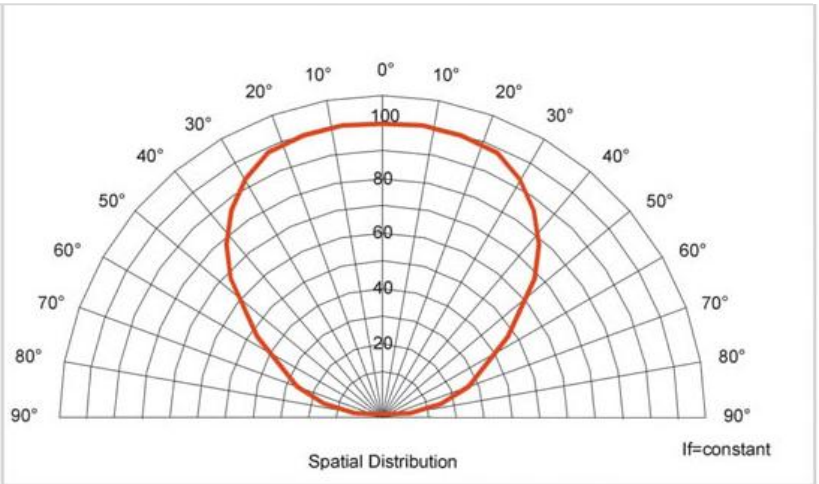
Lámpara LED tipo industrial HB-80W

Product Code	EL-ID-80-HB-N
Input Voltage	AC 90~264V/90~305V
Power Frequency of Driver	47~63Hz
Power Efficiency of Driver	≥85%
LED Power Consumption	75W
Power Factor (PF)	≥0.95
Total Harmonic Distortion (THD)	≤15%
Luminaire Efficiency	≥90%
Flux	5,200~6,000lm
Color Rendering Index (CRI)	Ra≥80
Color Temperature	3,000~7,000K Optional
Beam Angle	90 Degree
HID Equivalent	180W
Working Ambient Temperature	-25~+45°C/-13~+113°F
Working Ambient Humidity	15%~90%RH
IP Rating	IP22/IP54
Service Life	≥50,000 Hours
Light Fixture Material	Aluminum Alloy
NW	4.5kg



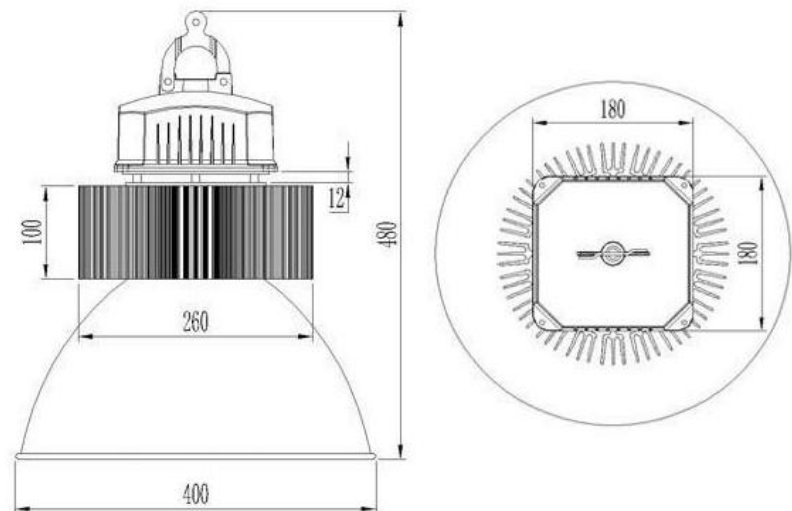
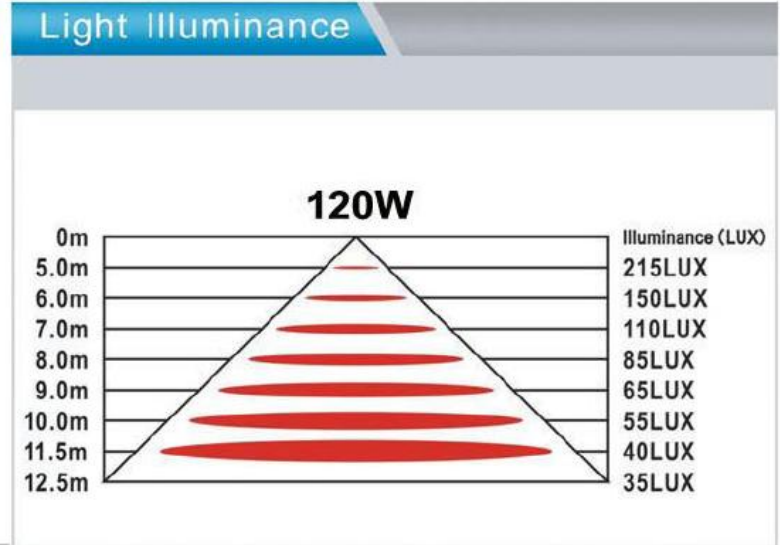
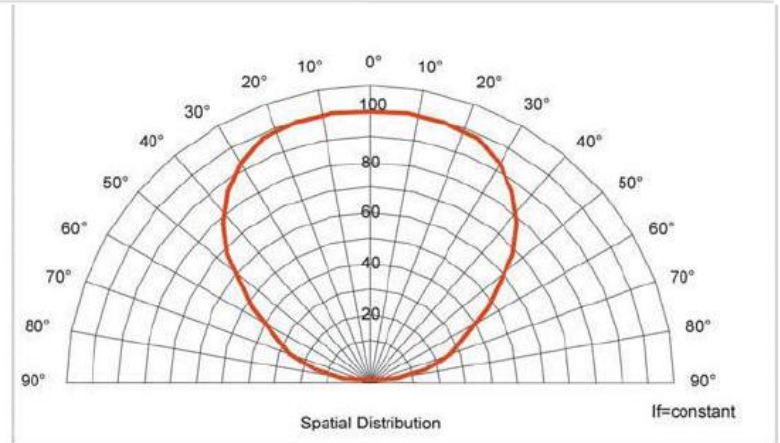
Lámpara LED tipo industrial HB-100W

Product Code	EL-ID-100-HB-N
Input Voltage	AC 90~264V/90~305V
Power Frequency of Driver	47~63Hz
Power Efficiency of Driver	≥85%
LED Power Consumption	88W
Power Factor (PF)	≥0.95
Total Harmonic Distortion (THD)	≤15%
Luminaire Efficiency	≥90%
Flux	6,000~7,200lm
Color Rendering Index (CRI)	Ra≥80
Color Temperature	3,000~7,000K Optional
Beam Angle	90 Degree
HID Equivalent	200W
Working Ambient Temperature	-25~+45°C/-13~+113°F
Working Ambient Humidity	15%~90%RH
IP Rating	IP22/IP54
Service Life	≥50,000 Hours
Light Fixture Material	Aluminum Alloy
NW	4.9kg



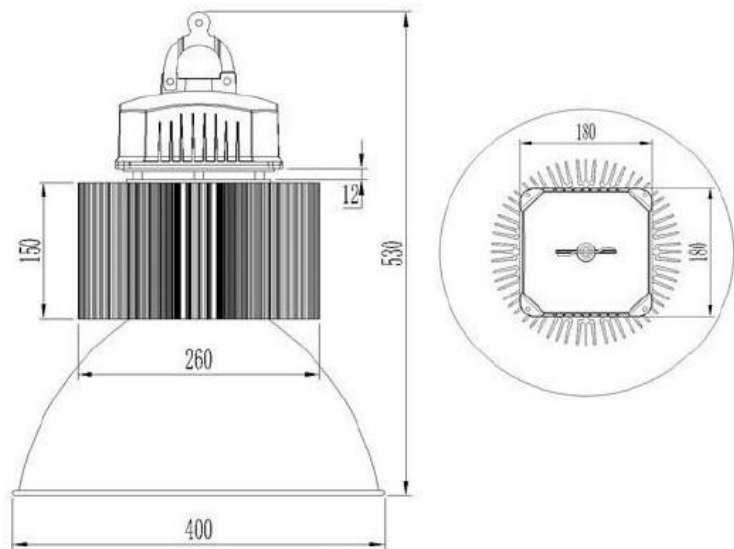
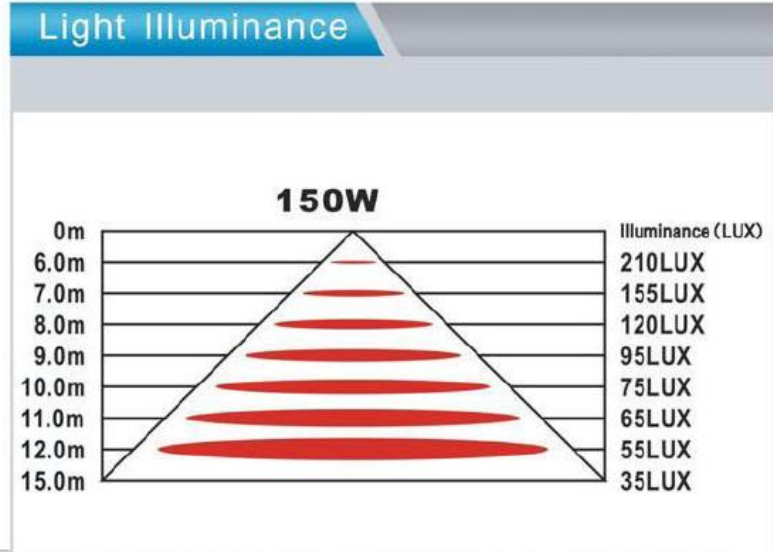
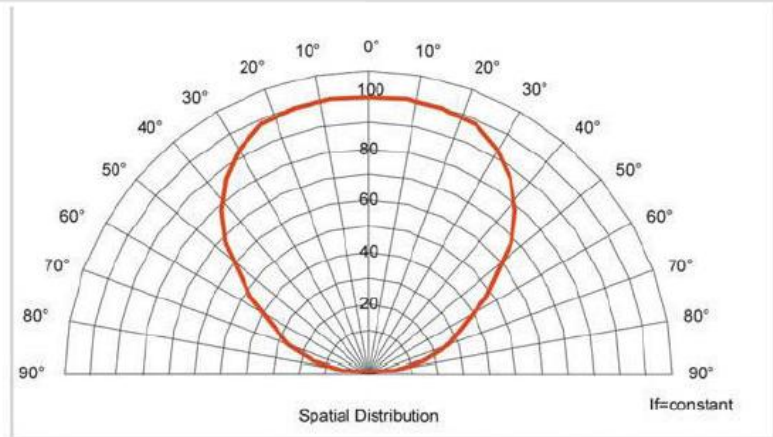
Lámpara LED tipo industrial HB-UB-120W

Product Code	EL-ID-120-HB-UB
Input Voltage	AC 110-240V/110-277V
Power Frequency of Driver	47~63Hz
Power Efficiency of Driver	≥85%
LED Power Consumption	104W
Power Factor (PF)	≥0.95
Total Harmonic Distortion (THD)	≤15%
Luminaire Efficiency	≥90%
Flux	9000Lm
Color Rendering Index (CRI)	Ra≥80
Color Temperature	3,000~7,000K Optional
Beam Angle	90 Degree
HID Equivalent	300W
Working Ambient Temperature	-25~+45°C/-13~+113°F
Working Ambient Humidity	15%~90%RH
IP Rating	IP30
Service Life	≥50,000 Hours
Light Fixture Material	Aluminum Alloy
NW	6.2Kg



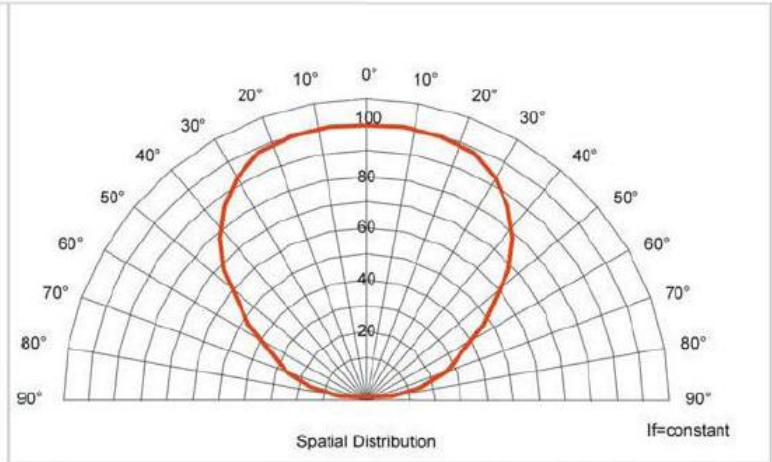
Lámpara LED tipo industrial HB-UB-150W

Product Code	EL-ID-150-HB-UB
Input Voltage	AC 110-240V/110-277V
Power Frequency of Driver	47~63Hz
Power Efficiency of Driver	≥85%
LED Power Consumption	120W
Power Factor (PF)	≥0.95
Total Harmonic Distortion (THD)	≤15%
Luminaire Efficiency	≥90%
Flux	10,000~12,000lm
Color Rendering Index (CRI)	Ra≥80
Color Temperature	3,000~7,000K Optional
Beam Angle	90 Degree
HID Equivalent	400W
Working Ambient Temperature	-25~+45°C/-13~+113°F
Working Ambient Humidity	15%~90%RH
IP Rating	IP30
Service Life	≥50,000 Hours
Light Fixture Material	Aluminum Alloy
NW	6.9kg

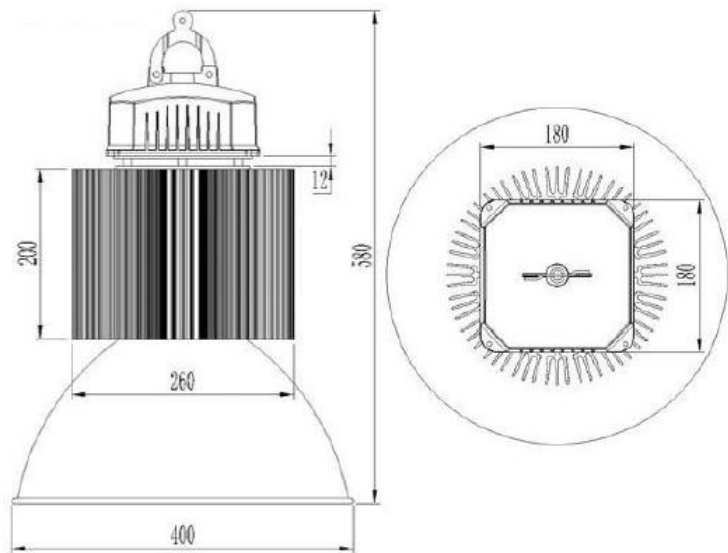
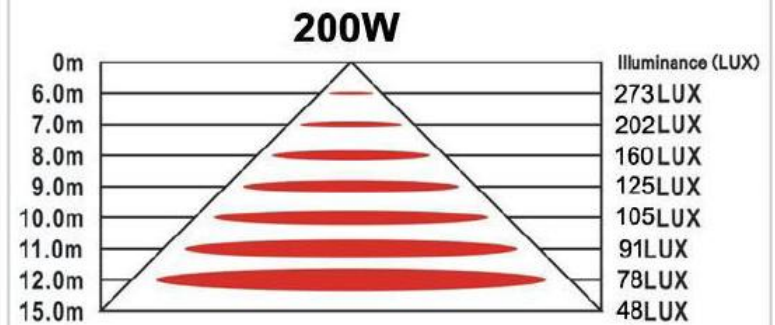


Lámpara LED tipo industrial HB-UB-200W

Product Code	EL-ID-200-HB-UB
Input Voltage	AC 110-240V/110-277V
Power Frequency of Driver	47~63Hz
Power Efficiency of Driver	≥85%
LED Power Consumption	170W
Power Factor (PF)	≥0.95
Total Harmonic Distortion (THD)	≤15%
Luminaire Efficiency	≥90%
Flux	13000Lm - 15000Lm
Color Rendering Index (CRI)	Ra≥80
Color Temperature	3,000~7,000K Optional
Beam Angle	90 Degree
HID Equivalent	700W
Working Ambient Temperature	-25~+45°C/-13~+113°F
Working Ambient Humidity	15%~90%RH
IP Rating	IP30
Service Life	≥50,000 Hours
Light Fixture Material	Aluminum Alloy
NW	8.1Kg



Light Illuminance



**Ahora también disponible con campana
de acrílico transparente
en tres diferentes diámetros**



16" size: Altura: 273mm, Diámetro exterior: 410mm, Ángulo: 76°
19" size: Altura: 300mm, Diámetro exterior: 482mm, Ángulo: 75°
22" size: Altura: 325mm, Diámetro exterior: 672mm, Ángulo: 91°

¡Consúltenos!